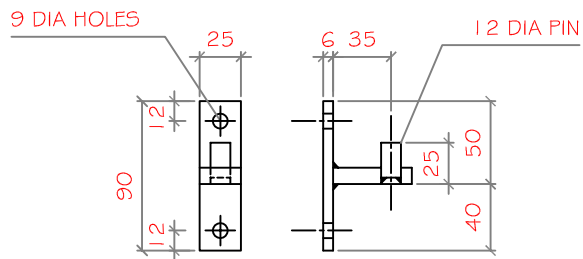
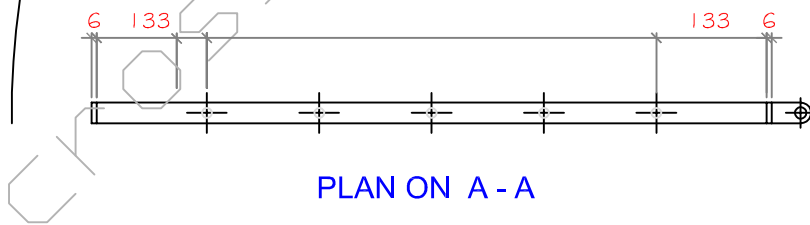
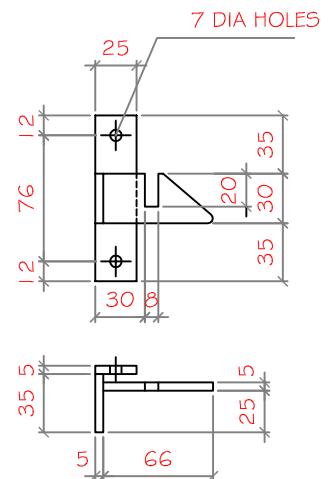


ELEVATION

OPEN INWARDS



2 x GATE HINGE



1 x GATE CATCH

'THE RACECOURSE RANGE'
 TYPE - WINDSOR SINGLE.
 OPENING SIZE - 91.5cm (3'-0").
 FINISH - HOT DIPPED GALVANISED.

NOTE: ALL GATES SHOWN HINGED RIGHT, OPEN INWARDS (VIEWED FROM OUTSIDE)